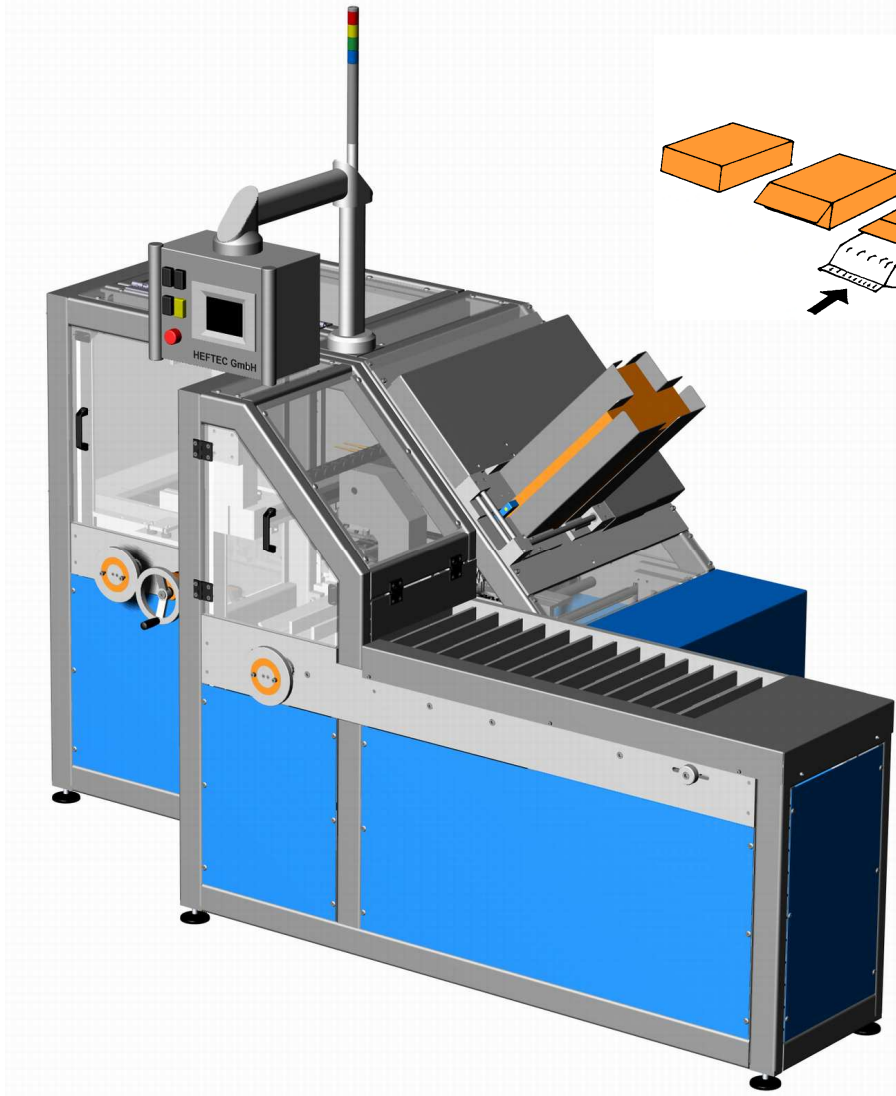
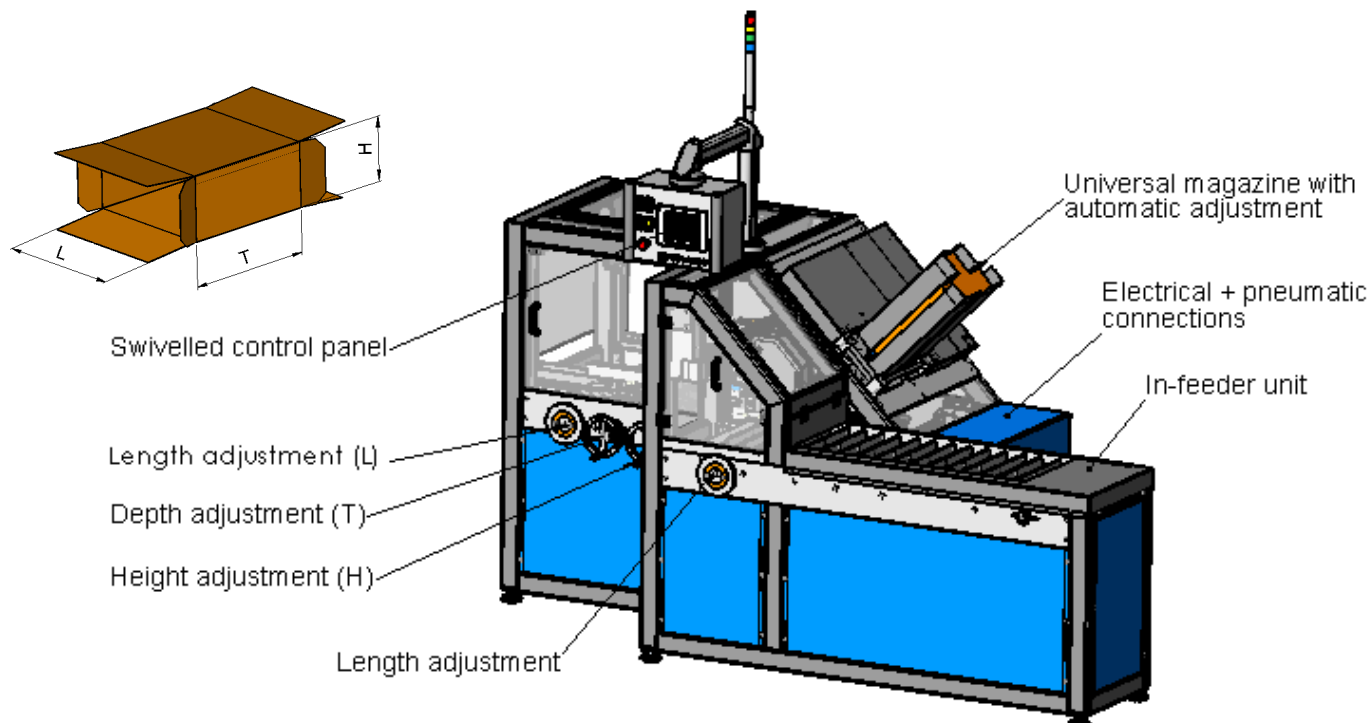


BPM3000A - UNIVERSAL CARTON FILLING MACHINE

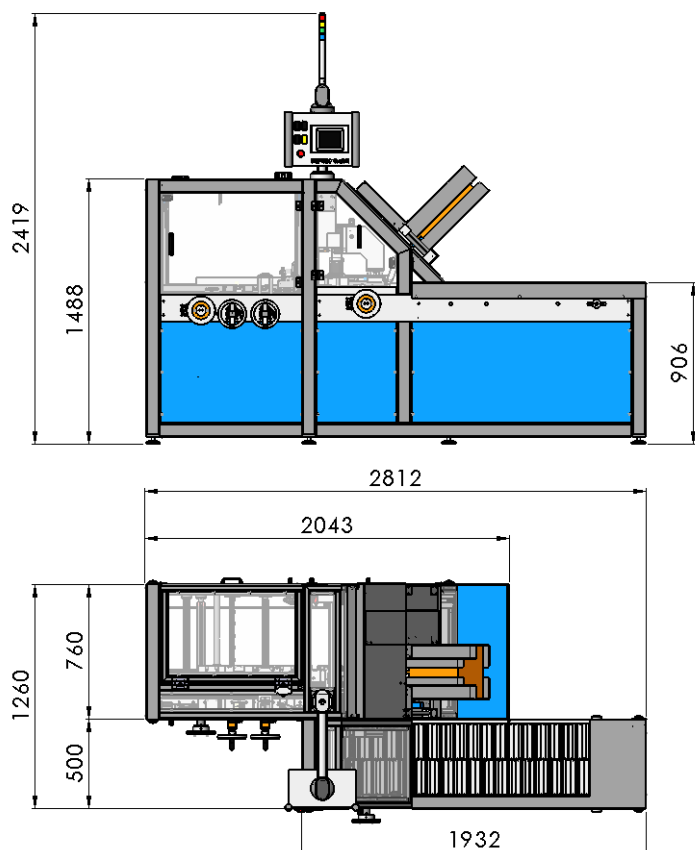


- **Universal horizontal cartoning machine, with adhesive or push-in flap**(The machine can be very simply re-adjusted to accept various packaging requirements)
- **Product output: up to 3000 cartons per hour**
(Depending on the carton size and shape)
- **With manual or automatic filling station**
- **Control system with touch-screen HMI and PLC controller**
- **Option: Available in stainless steel execution**
- **Option: With carton printer and instruction sheet**
- **Option: Available in mirror image execution**

BPM3000A - UNIVERSAL CARTON FILLING MACHINE



BPM3000A Technical Data



| | |
|-------------------|-----------------------|
| Dimensions | Carton sizes for:- |
| | 9 Stations: 74-330 mm |
| | 7 Stations: 74-330 mm |
| | 7 Stations: 20-190 mm |
| Depth: | 74-330 mm |
| Length: | 20-140 mm |
| Height: | 12-85 mm |

Output rate: Up to 3000 cartons per hour.
(Depending on the product dimensions and shape.)

Electrical mains supply: 3 x 400V, 50/60Hz

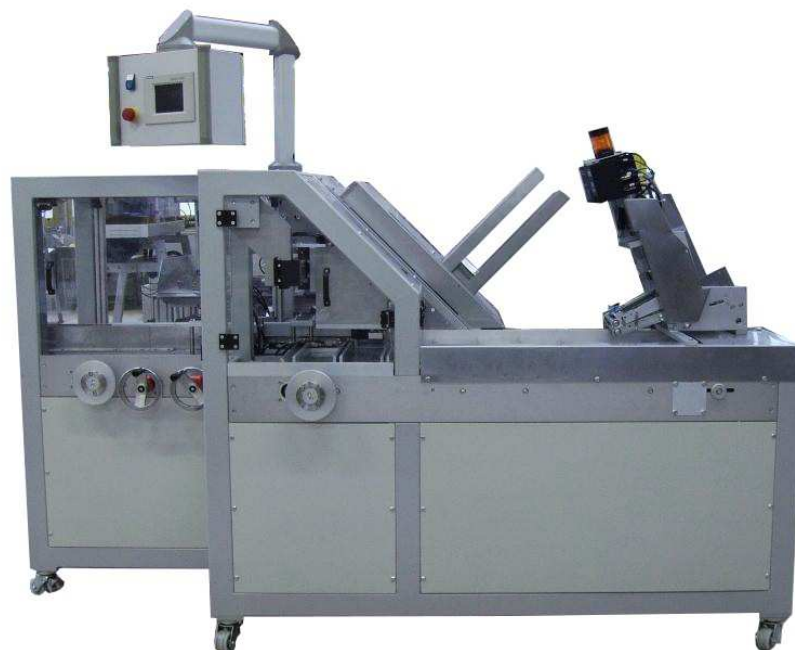
Controls: PLC type Siemens S7-300

Compressed air: 6 bar / 90psi at approx. 40 Liter / Minute

Weight: 1000 kg

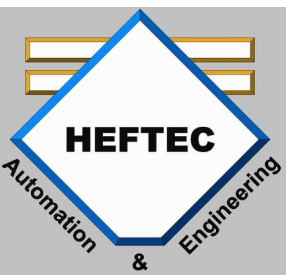
Options: Adhesive sealing
Push in flap closure
Automatic in-feed system
Add instruction sheet
Printing
Pharma- und Food industry conformity

BPM3000A - UNIVERSAL CARTON FILLING MACHINE



BPM3000A - UNIVERSAL CARTON FILLING MACHINE





HEFTEC GmbH Automation

BPM3000A - UNIVERSAL CARTON FILLING MACHINE



BPM3000A - UNIVERSAL CARTON FILLING MACHINE

